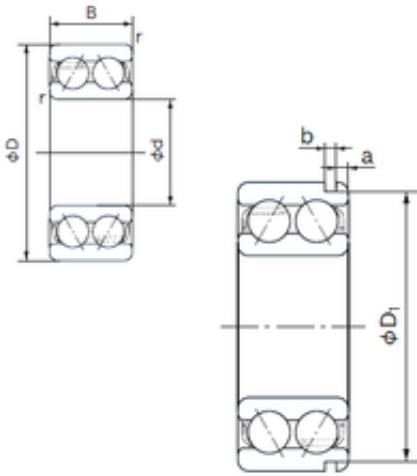




BEARING USA CORP.



85 mm x 150 mm x 49.2 mm NACHI 5217N Angular contact ball bearings

Bearing No. 5217N

5217N Bearing 2D drawings and 3D CAD models

Size	85x150x49.2 mm
Bore Diameter	85 mm
Outer Diameter	150 mm
Width	49.2 mm
d	85 mm
D	150 mm
B	49.2 mm
C	49.2 mm
a	4.9 mm
b	3.1 mm
r min.	2 mm
D1	145.24 mm
Weight	3.40 Kg
Basic dynamic load rating (C)	112 kN
Basic static load rating (C0)	103 kN
(Grease) Lubrication Speed	3000 r/min
Bore Type	Cylindrical Bore
Enclosure	Open
Configuration	Double Row
Bore Size	85 mm
Outside Diameter	150 mm
Width	49.2 mm
Fillet Radius/Chamfer	2 mm
Groove Width	3.1 mm
Groove Diameter	145.2 mm



BEARING USA CORP.

a (max)	4.9 mm
Dynamic Load Rating	112,000 N
Static Load Rating	103,000 N
Limiting Speed - Grease	3,000 rpm
Limiting Speed - Oil	4,000 rpm
Radial Clearance	0.012 to 0.036 mm
da	95 mm
Da	140 mm
Dx	162 mm
ra	2 mm
Cy	7.4 mm