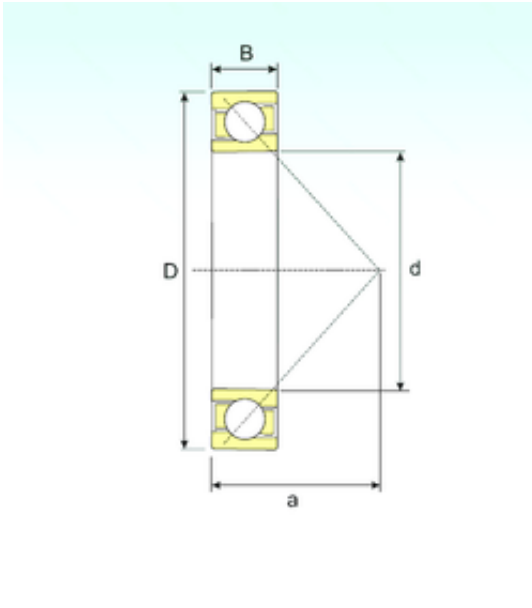




BEARING USA CORP.



7084 B Bearing 2D drawings and 3D CAD models

420 mm x 620 mm x 90 mm ISB 7084 B Angular contact ball bearings

Bearing No. 7084 B

Size	420x620x90 mm
Bore Diameter	420 mm
Outer Diameter	620 mm
Width	90 mm
d	420 mm
D	620 mm
B	90 mm
C	90 mm
a	88,5 mm
Weight	263 Kg
Basic dynamic load rating (C)	540 kN
Basic static load rating (C0)	780 kN
(Grease) Lubrication Speed	710 r/min